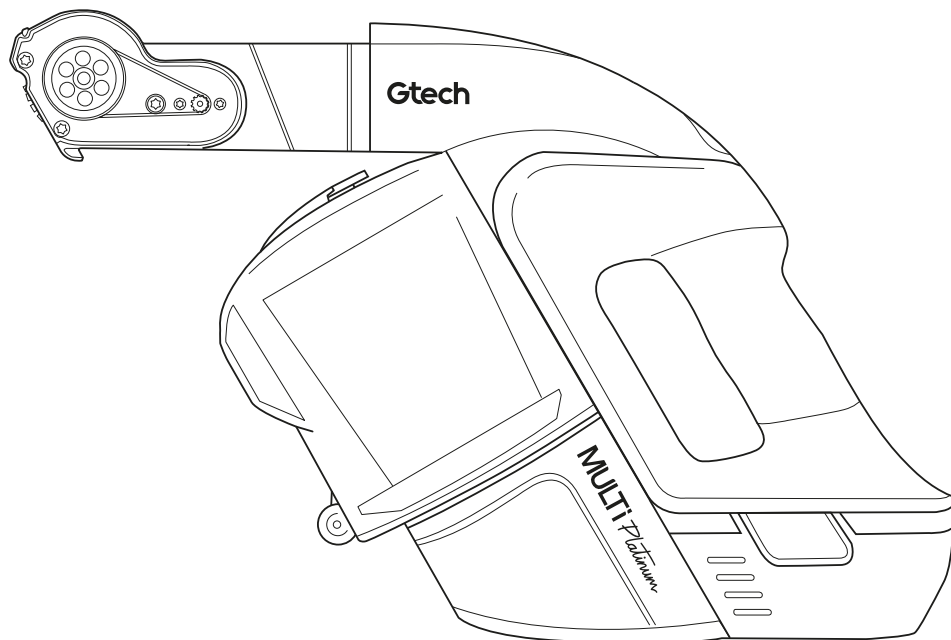


Gtech

# MULTI *Platinum*

MK2  
ATF Series



## OPERATING MANUAL

## IMPORTANT SAFEGUARDS:



**IMPORTANT: READ ALL INSTRUCTIONS BEFORE USE.  
RETAIN INSTRUCTIONS FOR FUTURE REFERENCE.**



Do not use in rain or leave outdoors whilst raining.



**WARNING:** Basic safety precautions should always be observed when using an electrical appliance, including the following to reduce the risk of fire, electrical shock, or injury:

### Personal Safety:

- Store indoors in a dry place out of the reach of children.
- Always use responsibly. This appliance can be used by children aged from 8 years and above and persons with reduced physical, sensory or mental capabilities or lack of experience and knowledge if they have been given supervision or instruction concerning use of the appliance in a safe way and understand the hazards involved.
- Don't let children play with the appliance; supervise children using or maintaining the appliance.
- Use only manufacturer's recommended attachments as described in this manual; misuse or use of any accessory or attachment other than those recommended, may present a risk of personal injury.
- Take extra care when cleaning stairs.
- Keep the appliance and accessories away from hot surfaces.
- Do not block the appliances openings or hinder air flow; keep openings free of any objects including dust, lint, clothing, fingers (and all parts of the body).
- Particularly keep hair away from the brush bar and other moving parts.

### Electrical safety:

- Only use batteries and chargers supplied by Gtech.
- Never modify the charger in any way.
- The charger has been designed for a specific voltage. Always check that the mains voltage is the same as that stated on the rating plate.

- A charger that is suitable for one type of battery pack may create a risk of fire when used with another battery pack; never use the charger with another appliance or attempt to charge this product with another charger.
- Before use, check the charger cord for signs of damage or ageing. A damaged or entangled charger cord increases the risk of fire and electric shock.
- Do not abuse the charger cord.
- Never carry the charger by the cord.
- Do not pull the cord to disconnect from a socket; grasp the plug and pull to disconnect.
- Don't wrap the cord around the charger when storing.
- Keep the charger cord away from hot surfaces and sharp edges.
- The supply cord cannot be replaced. If the cord is damaged the charger should be discarded and replaced.
- Do not handle the charger or the appliance with wet hands.
- Do not store or charge the appliance outdoors.
- The charger must be removed from the socket before removing the battery, cleaning or maintaining the appliance.
- Ensure the appliance is off before connecting or disconnecting the motorised brush bar.

### Battery safety:

- This appliance includes Li-Ion batteries; **do not incinerate batteries or expose to high temperatures**, as they may explode.
- Liquid ejected from the battery may cause irritation or burns.

- In an emergency situation contact professional help immediately!
- Leaks from the battery cells can occur under extreme conditions. Do not touch any liquid that leaks from the battery. If the liquid gets on the skin wash immediately with soap and water. If the liquid gets into the eyes, flush them immediately with clean water for a minimum of 10 minutes and seek medical attention. Wear gloves to handle the battery and dispose of immediately in accordance with local regulations.
- Shorting the battery terminals may cause burns or fire.
- When the battery pack is not in use, keep it away from paper clips, coins, keys, nails, screws or other small metal objects that could make a connection from one terminal to another.
- Store the battery away from any liquids and chemicals that may damage the battery and cause a risk of fire.
- Store the battery in clean, dry conditions, within a recommended temperature range of 0 - 25°C
- Do not store the battery in areas of high temperature above 25°C. Do not store near a source of heat or where exposed to direct sunlight.
- When you dispose of the appliance remove the battery and dispose of the battery safely in accordance with local regulations.

### Service:

- Before using the appliance and after any impact, check for signs of wear or damage and repair as necessary.
- Do not use the appliance if any part is damaged or defective.
- Repairs should be carried out by a service agent or a suitably qualified person in accordance with relevant safety regulations. Repairs by unqualified persons could be dangerous.
- Never modify the appliance in any way as this may increase the risk of personal injury.
- Only use replacement parts or accessories provided or recommended by Gtech.

### Intended use:

- This appliance has been designed for domestic dry vacuum cleaning only.
- Do not pick up liquids or use on wet surfaces.
- Do not pick up anything that is flammable, burning or smoking.
- Use only as described in this manual.
- Don't use on concrete, tarmacadam or other rough surfaces.
- The brush bar may damage certain surfaces. Before vacuuming flooring, upholstery, rugs, carpets or any other surfaces, check the manufacturer's recommended cleaning instructions.
- The product may damage delicate fabrics or upholstery. Care should be taken on loose-weave carpets and coverings or where there are loose threads. It is advised to test on an inconspicuous area first before use.
- The product has been designed to clean a wide variety of floor surfaces without the need to change settings. However some surfaces such as delicate loose-pile rugs or carpets, tasselled rug edges or damaged carpets with exposed threads are not suitable for cleaning with a rotary brush.
- The product has a constantly rotating brush bar. Never leave the Power Brush in one spot for an extended period of time as this may damage the area being cleaned.
- Particularly for hard flooring, before vacuuming check the area being cleaned is free of any hard debris or objects that could damage the flooring if caught underneath the product, and that the underside of the product is free from foreign objects that could mark the surface.

### WARNING:

- **Do not use water, solvents, or polishes to clean the outside of the appliance; wipe clean with a dry cloth.**
- **Never immerse the unit in water and do not clean in a dish washer.**
- **Never use the appliance without the filter fitted.**
- **Ensure the battery is removed before changing tools.**



## Thank you for choosing Gtech

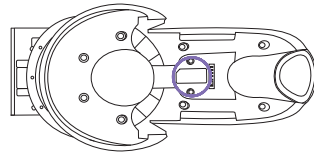
"Welcome to the Gtech family. I started Gtech to create sensible, easy to use products that do a great job, and hope you get many years of trouble-free performance from your new product."

*Nick*

Nick Grey – Inventor, owner of Gtech

Make a note of your product serial number code for future reference. You can find this on the underside of the product once the battery has been removed.

--- -- ~  
 --- -- ~  
 --- -- ~  
 --- -- ~



## What's in the box

**1** Gtech Multi Platinum vacuum cleaner

**2** Dusting brush

**3** Power brush

**4** Crevice tool (stored inside the handle)

**5** Extension tube

**6** Spare filter x 1

**7** Charger

**8** 4 x spare scented cartridges

**9** Hair removal tool

**10** Soft dusting brush

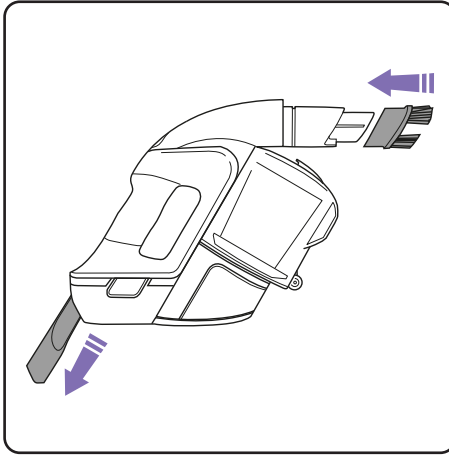
**11** Upholstery tool

**12** Flexible extension tube

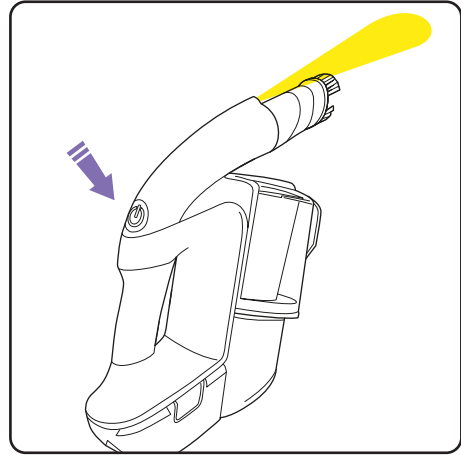
**13** Accessories bag

AVAILABLE SEPERATELY

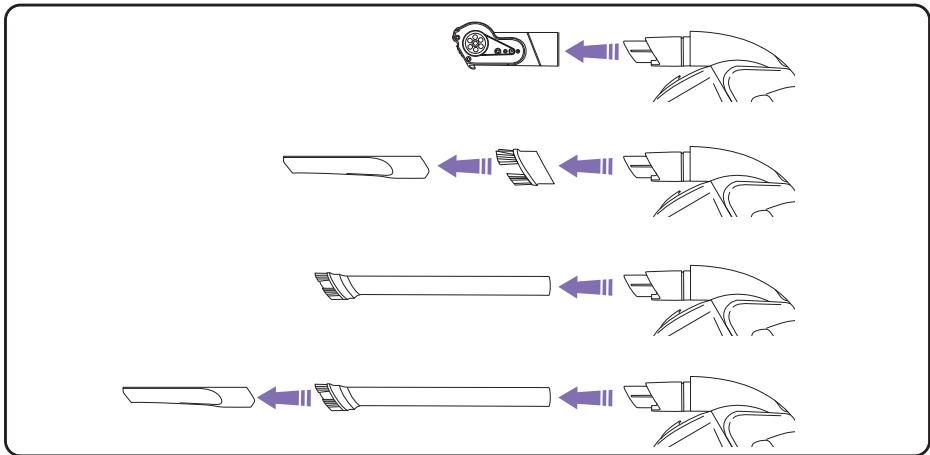
## Operation



The dusting brush can be slotted onto the active nozzle. The crevice tool is stored on board the product for easy access.

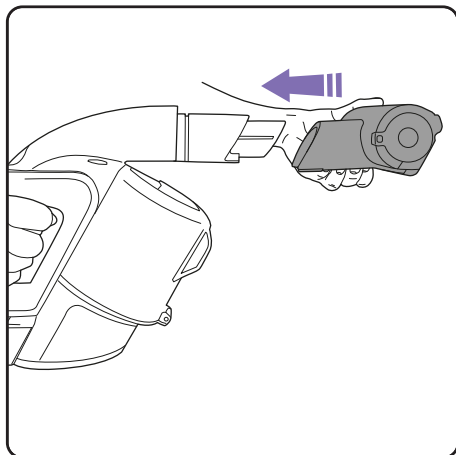


Press the button above the handle to turn the product on and off.

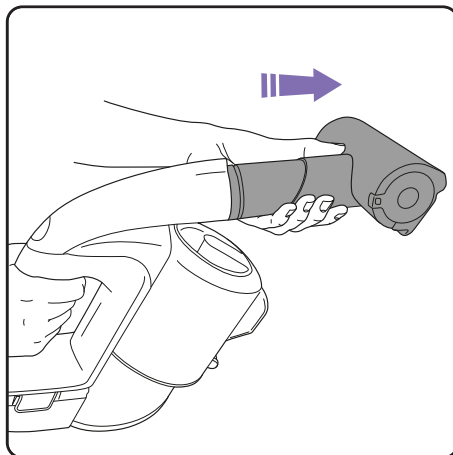


An active nozzle is built into your product. The dusting brush, crevice tool, extension tube and power brush all attach to the active nozzle.

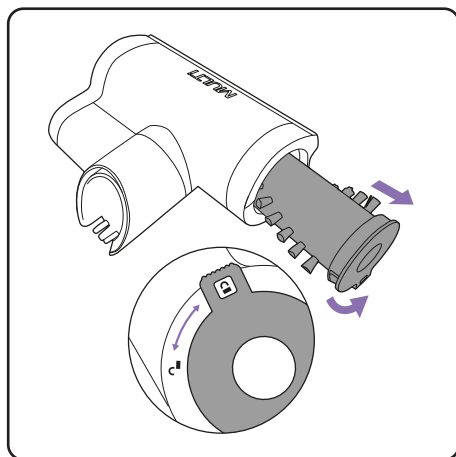
## Power brush



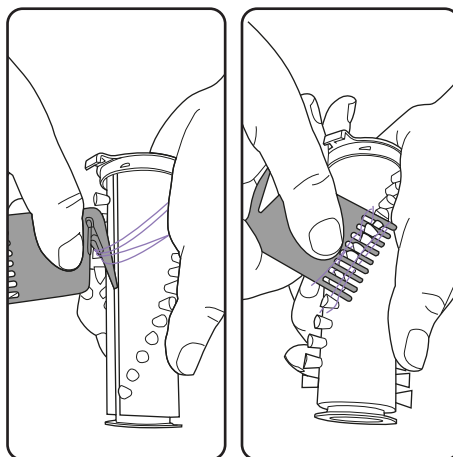
Make sure the terminals on the Power Brush and Active nozzle are correctly lined up and gently push the Power brush onto the Active nozzle. The battery should be removed when changing attachments.



Gently pull the Power Brush from the product to remove. The battery should be removed when changing attachments.



To clean the brush bar, first remove the power brush. Rotate the latch from the lock to the unlock position and pull out the brush bar.

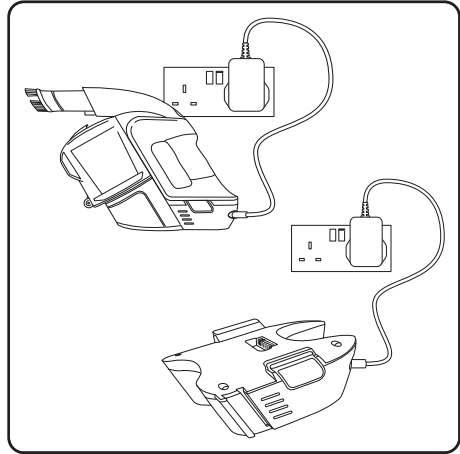


To remove hair from the brush bar, run the hair removal tool down the groove to cut the hair, then pull it out with the comb. Never operate the power head without the brush bar in.

## Battery charging



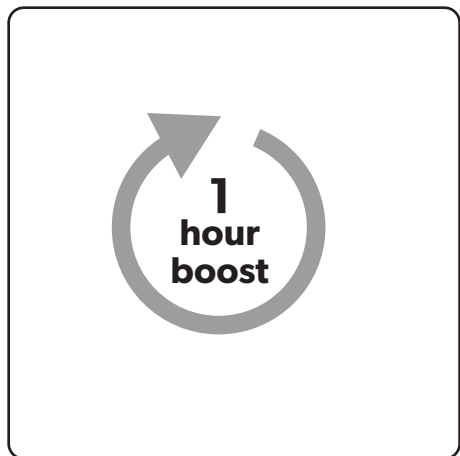
When a single green light flashes, recharge the battery.



The battery can be charged on or off the main unit.

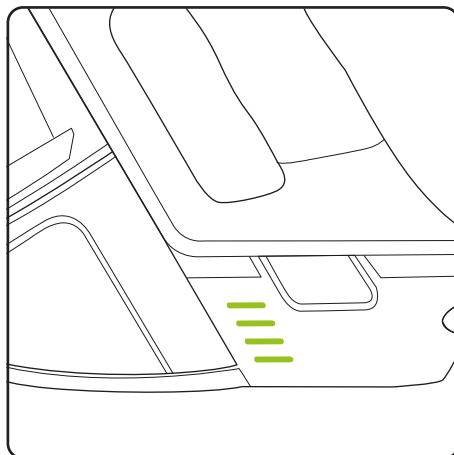


After 3 hours, the LEDs turn solid green and charging is complete.



It is OK to charge for 1 hour for a burst of cleaning.

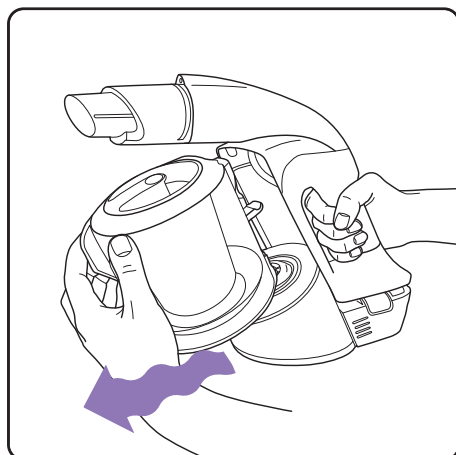
## State of Charge



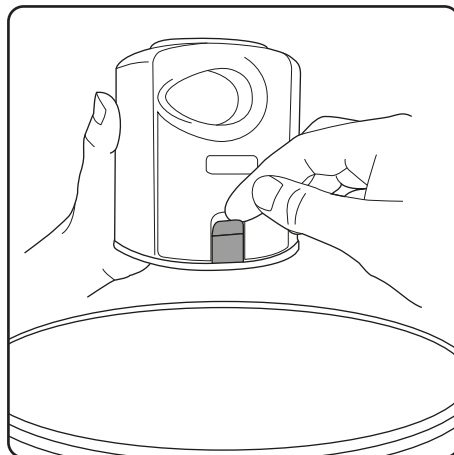
The battery state of charge indicator shows how much charge the product has. As you use the product, the green lights will turn off in a downwards direction.

While the battery is on charge, the LEDs will pulsate and in turn illuminate. When the battery is fully charged all of the LEDs will be solid green.

## Emptying the bin



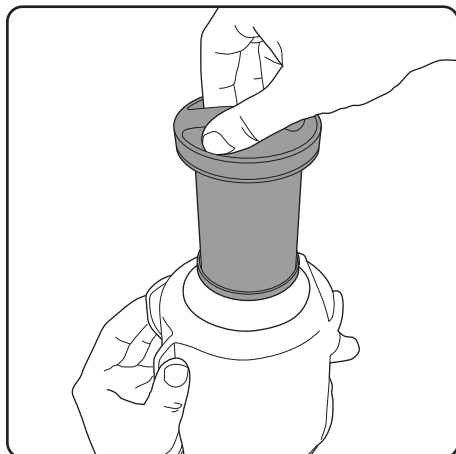
There's no latch, the bin just pulls off. It's easier if you wiggle it as you pull it.



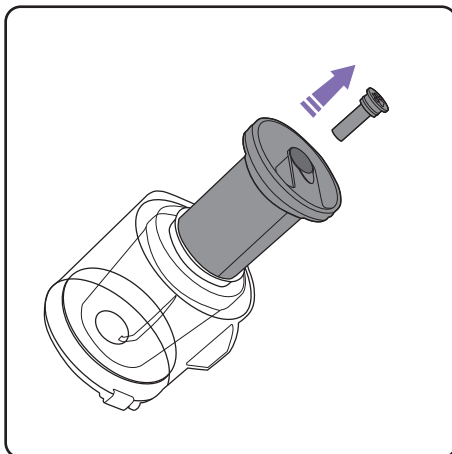
Hold the bin over a rubbish bin and release the latch to empty the dirt. A gentle tap will help. Remove the filter and tap off the excess debris each time you empty the bin.



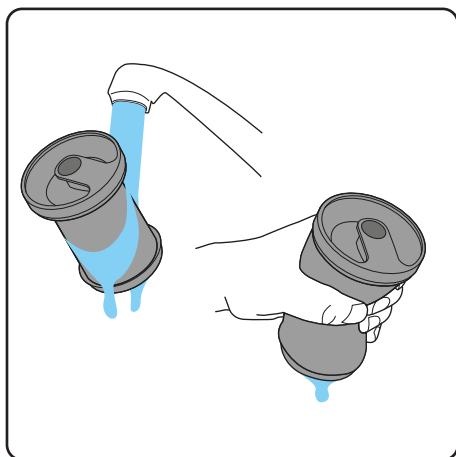
## Cleaning the filter



Remove the filter by pulling it from the top of the bin. Tap the dirt from the filter and tip any dirt from the filter housing. Wash the filter if necessary.



Before washing the filter, you will need to remove the scented cartridge by pulling it out from the scented cartridge housing at the top of the filter.



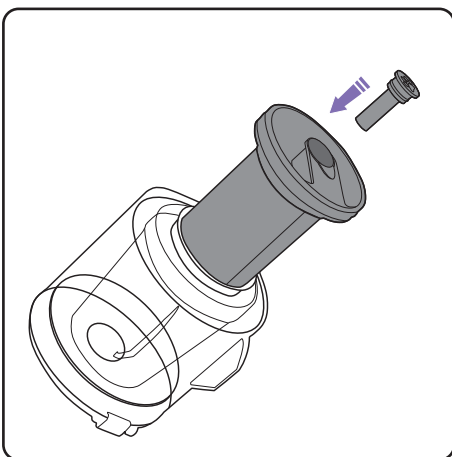
Wash the filter under a tap, squeeze it out then let it **dry completely** before using it. Recommended water temperature 40°C.

Do not use any detergent or soaps.

Use your spare filter while it dries.

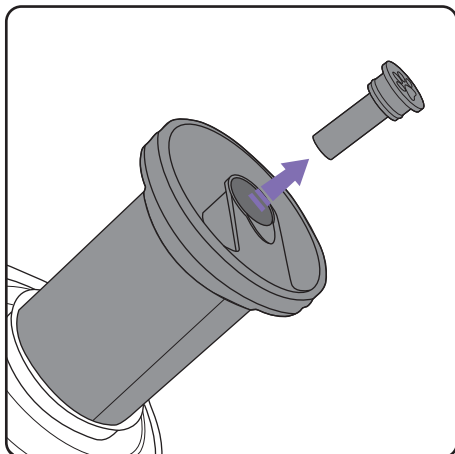
(You can get more at [www.gtech.co.uk](http://www.gtech.co.uk))

**Never operate the product without the filter inside the bin. You could damage the motor.**

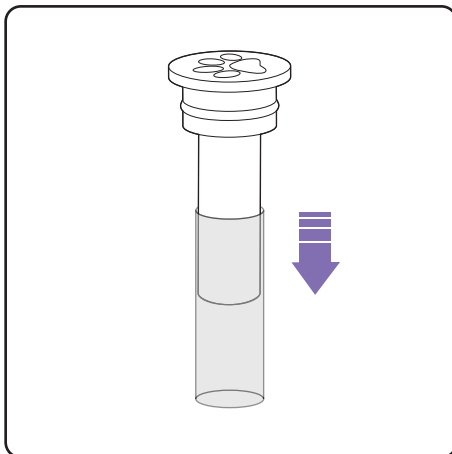


Ensure a cartridge is fitted onto the filter before using.

## Replacing the scented cartridge



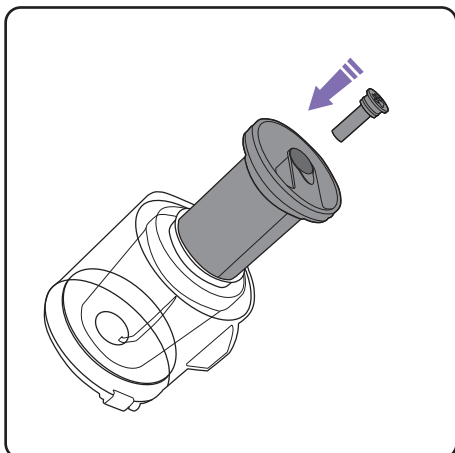
Remove the old scented cartridge by pulling it out from the housing at the top of the filter.



Remove a scented cartridge from the bag then slide the plastic sleeve off.

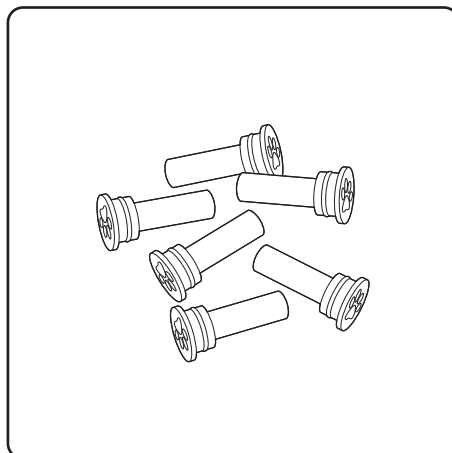
### Scented Cartridge

Scented cartridge refills: Keep out of the reach of children. People suffering from perfume sensitivities should be cautious when using this product as it may produce an allergic reaction or cause sensitisation by skin contact. If swallowed, seek medical advice immediately and show this container or label. Toxic to aquatic organisms, may cause long-term adverse effects in the aquatic environment. Scented refills contain: Linalyl acetate, Limonene, Linalool, Lilial, Lavender oil, Vanillin, Borneol, Polysorbate 20



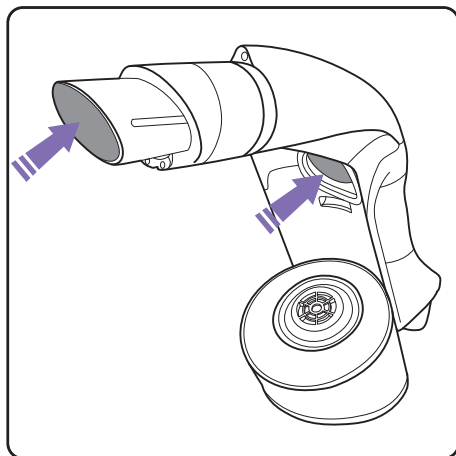
Place the new scented cartridge into the top of the filter.

**Never operate the product without the scented cartridge fitted.**

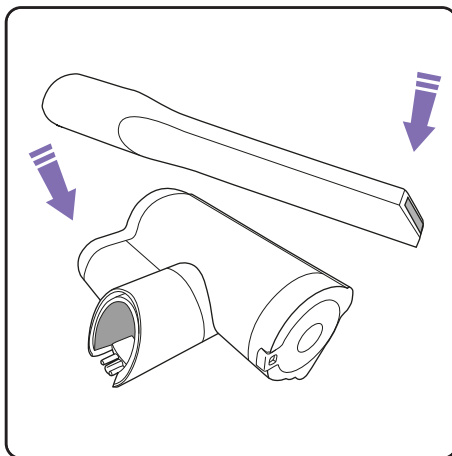


Scented cartridges are available from Gtech:  
Go to [www.gtech.co.uk](http://www.gtech.co.uk)  
or call 08000 308 794 .

If the suction is low when the bin is empty and filter is clean... you have a blockage.

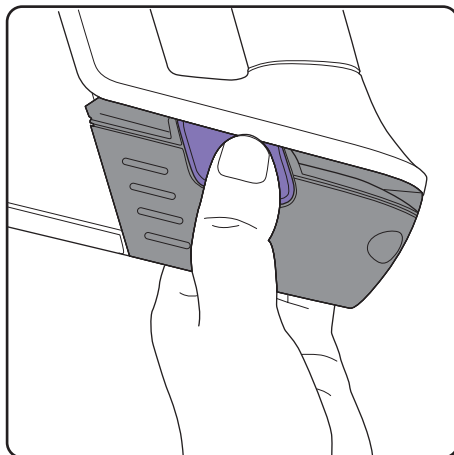


Remove the battery & bin and look through both ends of the tube. Remove any blockages.



The tools can block too, sometimes.

## Removing the battery



Press the purple buttons and pull to remove the battery. The battery can be charged on or off the main unit. If you want to buy a spare battery go to [www.gtech.co.uk](http://www.gtech.co.uk) or call **08000 308 794**.

## Product Care

Your product doesn't need much maintenance: keep the filter clean, check for blockages, remove hair from the brushbar and charge the battery. Wipe it with a dry cloth if it gets dirty, including the area under the bin. Never wash it with liquid, run it under a tap or use it without the filter.

To maintain optimum battery life store the battery in clean, dry conditions, within a recommended temperature range of 0 - 25°C. Do not store the battery in areas of high temperature above 25°C. Do not store near a source of heat or where exposed to direct sunlight.

## Troubleshooting

Product is not cleaning well	<ol style="list-style-type: none"> <li>1. Empty the bin.</li> <li>2. Clean the holes in the filter housing.</li> <li>3. Wash the filter.</li> <li>4. Check for blockages.</li> <li>5. Remove hair from brushbar.</li> </ol>
Product has stopped or won't work	<ol style="list-style-type: none"> <li>6. Charge the battery (check the socket works and is turned on).</li> <li>7. It might be blocked – check items 1 to 4 above.</li> </ol>
4 Red lights displayed on battery	<ol style="list-style-type: none"> <li>8. Brush bar jammed.</li> <li>9. Turn off product, remove the battery and clear the blockage.</li> </ol>

## Product support

If these initial tips do not solve your problem we please visit our support area where you can find troubleshooting help including online manuals, FAQs and how-to-videos, as well as genuine spares and replacement parts compatible with your product.

**Visit: [www.gtech.co.uk/support](http://www.gtech.co.uk/support)**



Online



Live chat support



[support@gtech.co.uk](mailto:support@gtech.co.uk)




How to Videos

## TECHNICAL SPECIFICATION

Battery model	113A1003-C
Battery	22V Li-Ion
Charging period	3 hours
Battery charger output	27V DC 1.2A
Weight (with standard nozzle)	1.5kg

## Product Recycling

Many of the electrical items that are thrown away can be repaired or recycled, saving natural resources and helping to protect the environment.

Gtech products are marked with the  symbol indicating they can be recycled, and are covered by legislation for Waste Electrical and Electronic Products (2012/19/EU)

When the product has reached the end of its life both it and the Li-Ion battery it contains should not be disposed of with general household waste. The battery should be removed from the product and both should be disposed of separately at a recognised recycling centre.

Recycling electrical products and batteries is free at your local recycling centre.

To find your nearest centre and discover how easy it is to recycle electrical products visit [www.recycle-more.co.uk](http://www.recycle-more.co.uk)

Alternatively contact your local council or civic amenity site.

UK  
CA

CE

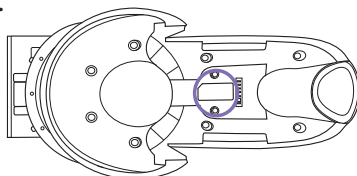


## FOR HOUSEHOLD USE ONLY

## WARRANTY – REGISTRATION

Visit [www.gtech.co.uk/warrantyregistration](http://www.gtech.co.uk/warrantyregistration) to register your product to ensure that we have all the information required to provide you with quick and efficient support.

**You will need your product's serial code.**



If you purchased directly from Gtech, your details are already registered and your 2-year warranty will start automatically.

If you purchased from an authorised Gtech retailer, please register your warranty within 3 months. You will need to provide proof of purchase to support any claim(s) against your warranty.

## WARRANTY – TERMS AND CONDITIONS

If your product is within its warranty and has a fault that cannot be resolved from the troubleshooting section or online support, please do the following:

- Contact our Gtech Customer Care Helpline on UK: 08000 308 794, who will go through any troubleshooting with you to identify the fault.
- If your fault can be resolved by a replacement part, this will be sent to you free of charge.
- Following troubleshooting, if your product needs to be replaced, we will arrange collection of your faulty product for inspection, and delivery of a replacement product free of charge.

Your product is guaranteed against material or manufacturing faults for 2 years from the date of purchase (or the delivery date if this is later) subject to the following terms and conditions:

### SUMMARY

The guarantee becomes effective at the date of purchase (or the date of delivery if this is later). If a product is repaired or replaced during the warranty period, the warranty period is not started again.

- You must provide proof of delivery/purchase before any work can be carried out on the product. Without this proof, any work carried out will be chargeable. Please keep your receipt or delivery note.
- All work will be carried out by Gtech or its authorised agents.
- Any parts which are replaced will become the property of Gtech.
- The repair or replacement of your product is under guarantee and will not extend the period of guarantee.
- The guarantee provides benefits which are additional to and do not affect your statutory rights as a consumer.

### WHAT ISN'T COVERED

Gtech does not guarantee the repair or replacement of a product as a result of:

- Normal wear and tear (e.g. drive belt, brush bar, batteries) .
- Use of consumables (e.g. dust bags and cartridges)
- Accidental damage, faults caused by negligent use or lack of care and maintenance, misuse, neglect, careless operation or handling of the product which is not in accordance with operating manual.
- Blockages. Please refer to the operating manual for details of how to unblock your product.
- Use of the product for anything other than the normal domestic household purposes.
- Use of parts and accessories which are not Gtech genuine components.
- Faulty installation (except where installed by Gtech)
- If it is modified in any way.
- Repairs or alterations carried out by parties other than Gtech or its authorised agents.
- Purchasing your product from an unofficial third party (i.e. not from Gtech or an official Gtech retailer).
- If you are in doubt as to what is covered by your guarantee, please call the Gtech Customer Care Helpline on UK: 08000 308 794

International orders are subject to a delivery charge for both faulty and non faulty products.

# Notes

# Gtech

## **Grey Technology Limited**

Brindley Road, Warndon, Worcester WR4 9FB UK

email: [support@gtech.co.uk](mailto:support@gtech.co.uk)

telephone: 08000 308 794

[www.gtech.co.uk](http://www.gtech.co.uk)

CPN5260